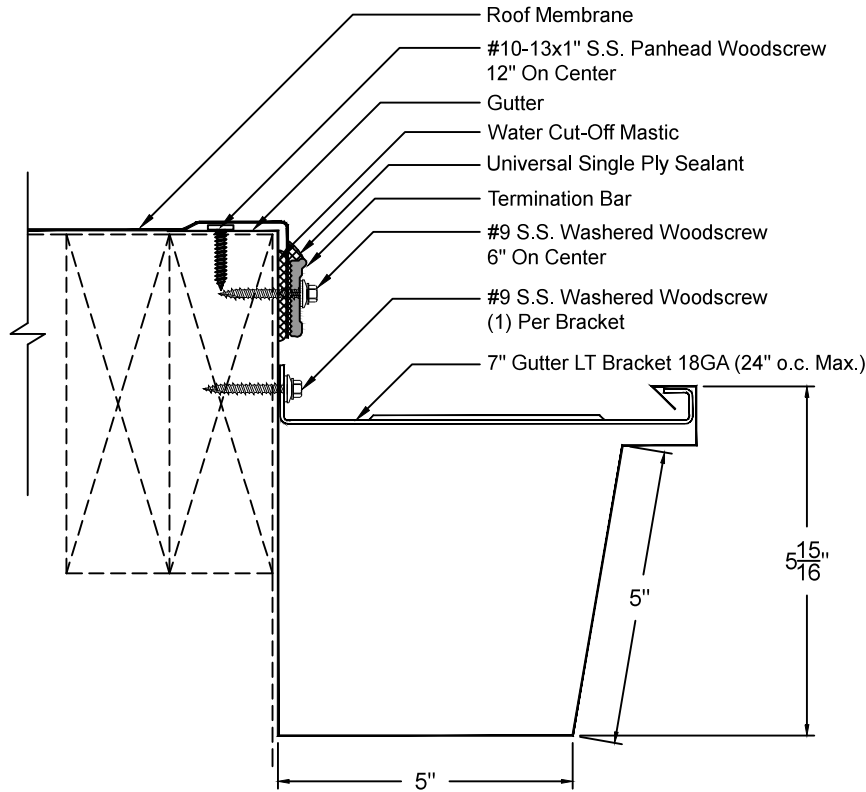


Gutter LT

ANSI/SPRI GD-1 CERTIFIED:

.040" Aluminum
 G-1 Horizontal = 310 psf
 G-2 Vertical = 40 psf
 G-3 Static = 430 psf

24GA Steel
 G-1 Horizontal = 290 psf
 G-2 Vertical = 20 psf
 G-3 Static = 430 psf



- Gutter Bracket and Fasteners provided.
- Term Bar and fasteners NOT provided.

PRINT APPROVAL:

Architect and/or Contractor shall verify all dimensions, sizes, and quantities, All products to be installed in strict accordance with Drexel's printed instructions.

Approved By: _____

Date: _____

QUANTITIES:

Lineal Feet (10'-0" Lengths*): _____

Outside Miters** : _____ Optional Welded (Surcharge Applies)

Inside Miters** : _____ Optional Welded (Surcharge Applies)

Right End Caps** : _____ Optional Welded (Surcharge Applies)

Left End Caps** : _____ Optional Welded (Surcharge Applies)

* Optional lengths available up to 20'-0"

** Standard riveted

PROJECT:

ARCHITECT:

ROOFING CONTRACTOR:

REPRESENTATIVE:

MATERIAL:

24GA .040" AL

Other: _____

Finish: _____

Color: _____

Effective Date: 9-22-14

Drawn By: J.S.

Approved By: B.P.



P: 800-628-5849 E: office@garretymfg.com W: www.garretymfg.com