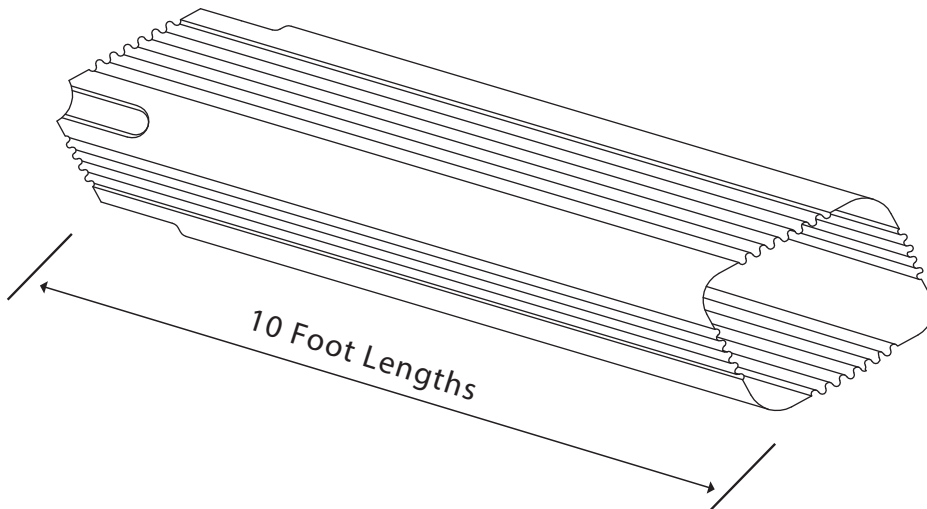
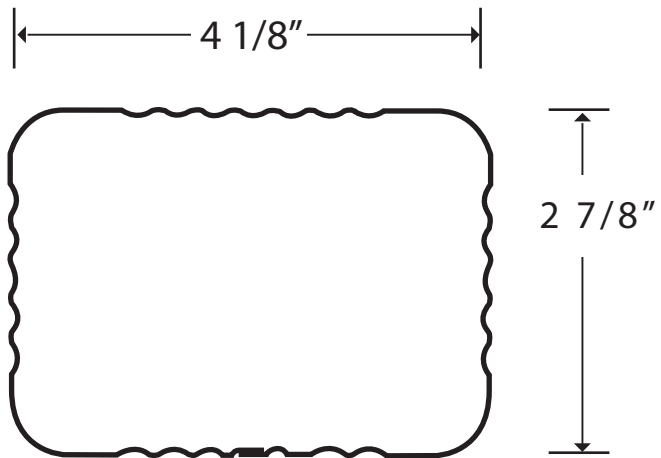


# 3x4 CORRUGATED DOWNSPOUT



Color: \_\_\_\_\_

Approved by: \_\_\_\_\_ Date: \_\_\_\_\_

<b>METAL</b>	.032 Aluminum
	24 Gauge Steel
	16 Oz. Copper
	20 Oz. Copper

<b>FINISH</b>	Kynar 500
	Galvalume
	Galvanized
	Mill Finish Aluminum
	_____

<b>JOB INFO</b>	Project	_____
	Architect	_____
	Contractor	_____
	Contact	_____
	Phone	_____
	Email	_____