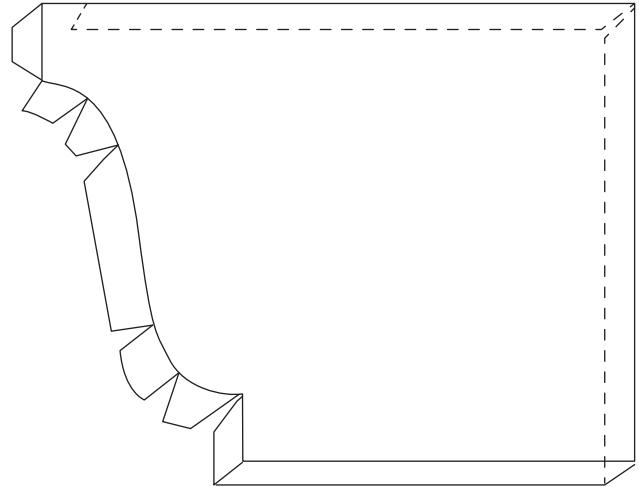
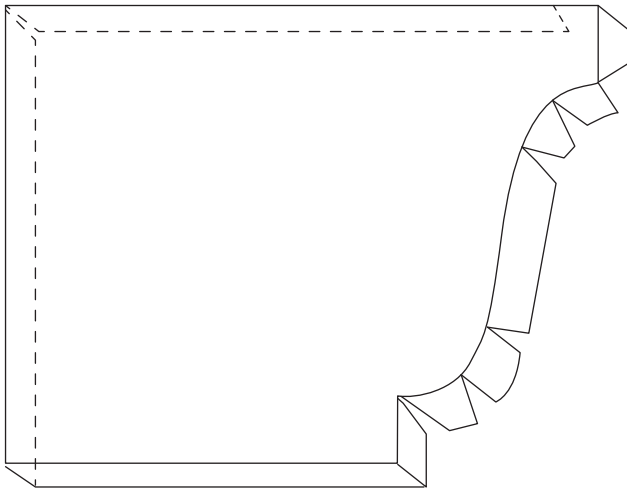


K STYLE ENDCAP



Color: _____ Approved by: _____ Date: _____

<p>METAL</p> <p><input type="checkbox"/> Aluminum</p> <p><input type="checkbox"/> Steel</p> <p><input type="checkbox"/> Copper</p>	<p>SIZE</p> <p><input type="checkbox"/> 5" K Endcap</p> <p><input type="checkbox"/> 6" K Endcap</p> <p><input type="checkbox"/> 7" K Endcap</p> <p><input type="checkbox"/> 8 K Endcap</p> <p><input type="checkbox"/> 9 K Endcap</p> <p><input type="checkbox"/> 10 K Endcap</p>	<p>FINISH</p> <p><input type="checkbox"/> Kynar 500</p> <p><input type="checkbox"/> Galvalume</p> <p><input type="checkbox"/> Galvanized</p> <p><input type="checkbox"/> Mill Finish Aluminium</p> <p><input type="checkbox"/> Baked Enamel</p> <p><input type="checkbox"/> _____</p>	<p>JOB INFO</p> <p>Project _____</p> <p>Architect _____</p> <p>Contractor _____</p> <p>Contact _____</p> <p>Phone _____</p> <p>Email _____</p>
---	--	--	---