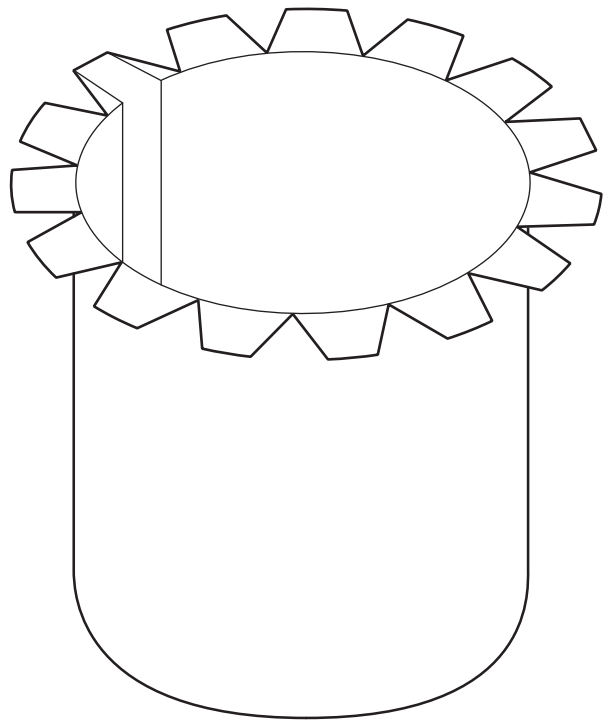
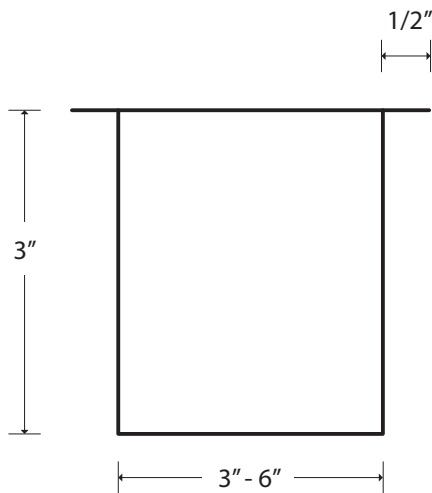


## 3" TO 6" ROUND A STYLE DOWNSPOUT OUTLET



Approved by: \_\_\_\_\_ Date: \_\_\_\_\_

<b>METAL</b>	<input type="checkbox"/> Aluminum
	<input type="checkbox"/> Steel
	<input type="checkbox"/> Copper

<b>FINISH</b>	<input type="checkbox"/> Kynar 500
	<input type="checkbox"/> Galvalume
	<input type="checkbox"/> Galvanized
	<input type="checkbox"/> Mill Finish Aluminium
	<input type="checkbox"/> Baked Enamel
	<input type="checkbox"/> _____

<b>JOB INFO</b>	Project	_____
	Architect	_____
	Contractor	_____
	Contact	_____
	Phone	_____
	Email	_____